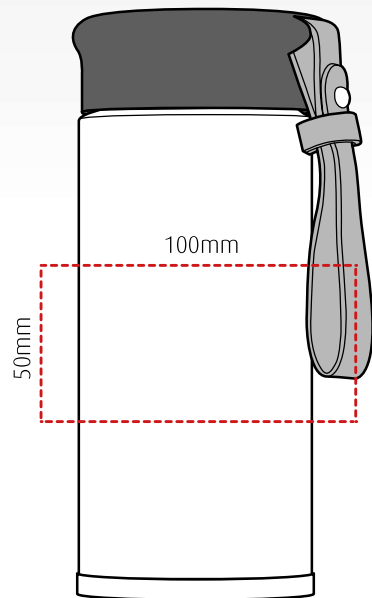


# maji mini

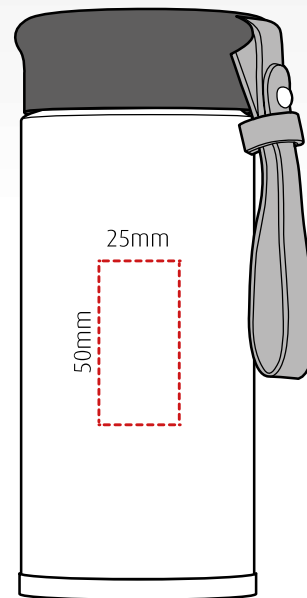
branding template

Powder coated, double-walled, stainless steel bottle with soft touch lid - 280 ml

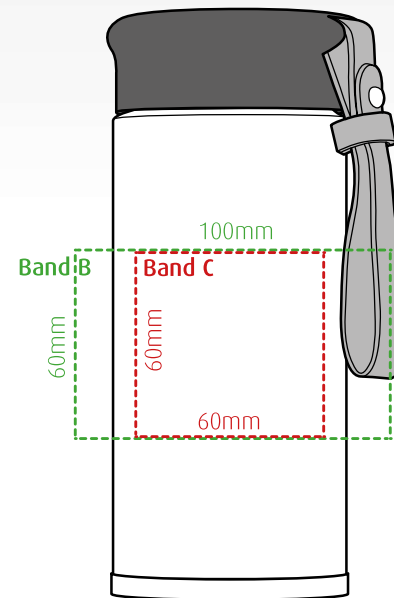
Height: 157mm Width: 75mm (top), 65mm (base)



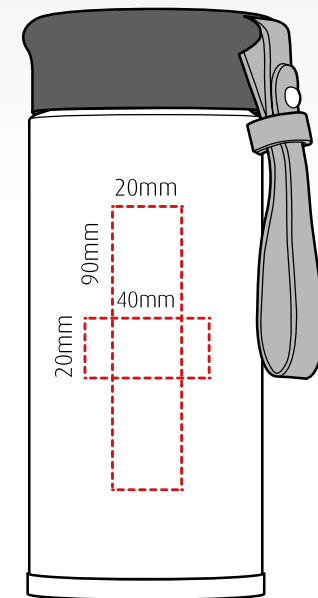
1 colour rotary screen print



Up to 4 spot colours pad print



Full colour



Laser engraving

All branding areas are to be used as a guide and are subject to sight of artwork.

**Materials:** 304 stainless steel, silicone, PU  
**Colours:** Black  
**Height:** 157mm  
**Diameter:** 77mm (top), 65mm (base)

**Capacity:** 280ml  
**Weight:** 186g  
**Country of origin:** China  
**HS Code:** 73239300

**Box dimensions:** 75 x 75 x 215 mm  
**No. per carton:** 50  
**Carton dimensions:** 48 x 40 x 45 cm  
**GW:** 15kg