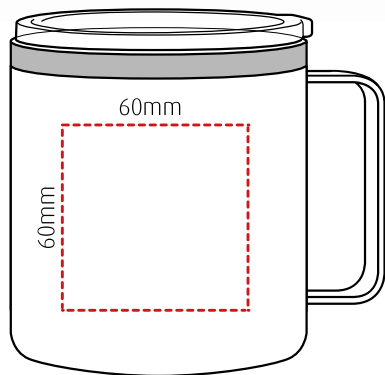


# java

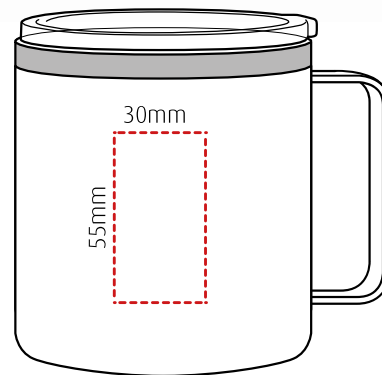
branding template

High grade 304 stainless steel vacuum mug - 350ml

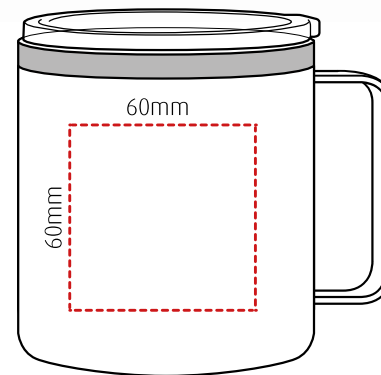
Height: 105mm Diameter: 90mm



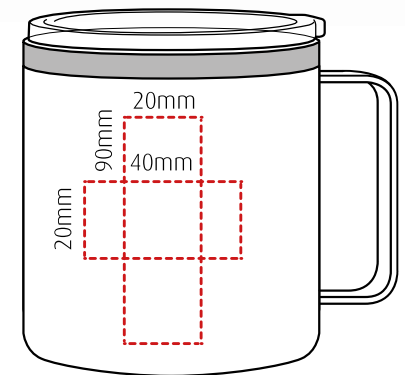
1 colour rotary screen print



2-3 spot colours pad print



Full colour



Laser engraving

All branding areas are to be used as a guide and are subject to sight of artwork.

**Materials:** 304 stainless steel, AS, food grade silicone  
**Colours:** Black, white, dark blue PMS289.  
**Height:** 105mm  
**Diameter:** 90mm

**Capacity:** 350ml  
**Weight:** 260g  
**Country of origin:** China  
**HS Code:** 961700190

**Box dimensions:** 115 x 95 x 95 mm  
**No. per carton:** 24  
**Carton dimensions:** 40 x 30.5 x 22.5 cm  
**GW:** 7kg