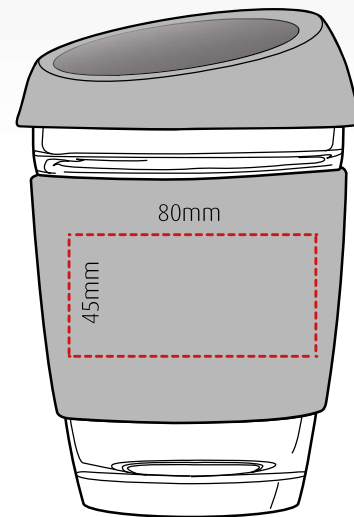


café glass cup

branding template

Borosilicate glass cup with coordinated silicone lid and band - 350ml

Height: 134mm Diameter: 91mm



Additional colours
available upon request
with heat transfer.
Contact us for
costs/lead times.

1 colour rotary screen print

All branding areas are to be used as a guide and are subject to sight of artwork.

Materials: Borosilicate glass, food grade, silicone
Colours: Black, white, red (485C), reflex blue, grey
Height: 134mm
Diameter: 91mm

Capacity: 350ml
Weight: 350g
Country of origin: China
HS Code: 7013990000

Box dimensions: 93 x 93 x 135 mm
No. per carton: 50
Carton dimensions: 30 x 50 x 50 cm
GW: 18.5kg