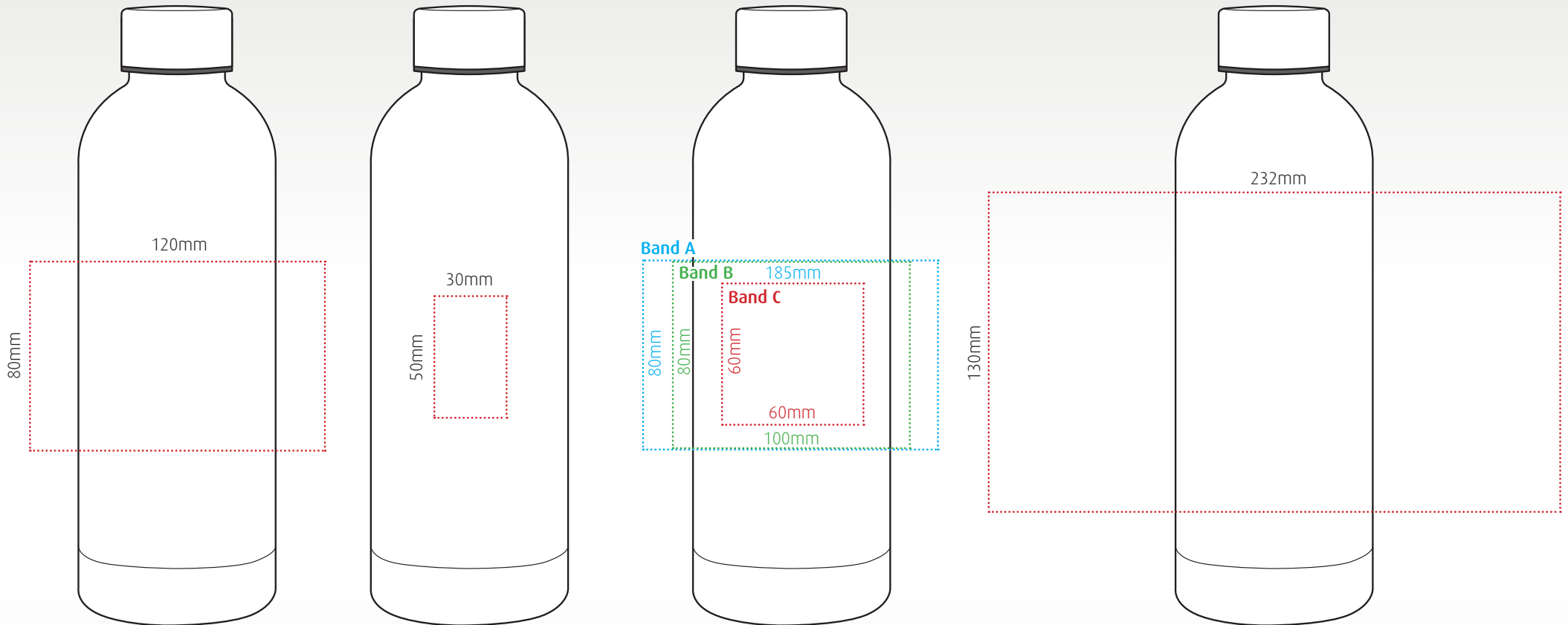


# scuba

branding template

Contemporary, stainless steel, insulated bottle with screw lid - 500ml

Height: 222mm Width: 75mm



1 colour rotary screen print

Up to 4 spot colours pad print

Full colour heat transfer

UV digital wrap

All branding areas are to be used as a guide and are subject to sight of artwork.

**Materials:** 304 stainless steel inside/out, copper, lid - food grade silicone, PP

**Colours:** Pebble, black, gun metal grey

**Height:** 222mm

**Diameter:** 75mm

**Capacity:** 500ml

**Weight:** 275g

**Country of origin:** China

**HS Code:** 7323930090

**Box dimensions:** 228 x 78 x 78 mm

**No. per carton:** 30

**Carton dimensions:** 48 x 40 x 26 cm

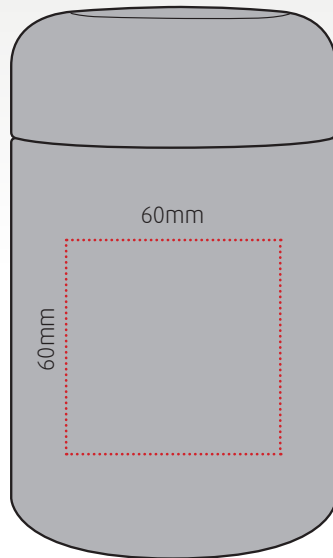
**GW:** 11kg

# duka

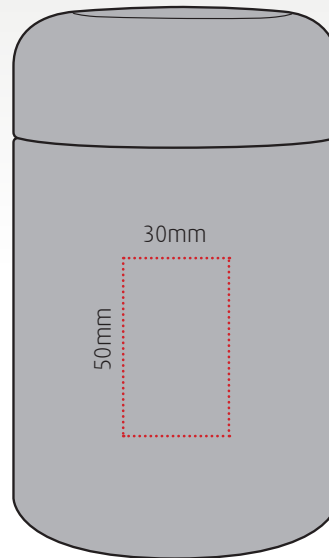
branding template

Insulated food flask ideal for meals on the go - 600ml

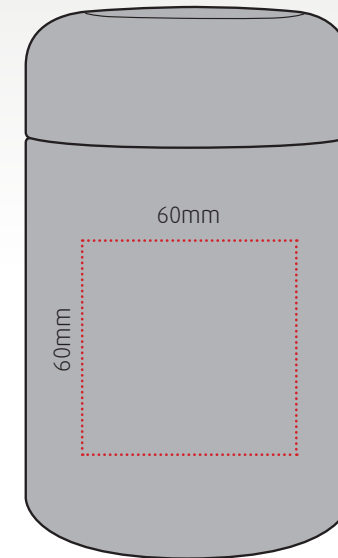
Height: 150mm Diameter: 90mm



1 colour rotary screen print



Up to 4 spot colours pad print



Full colour heat transfer

All branding areas are to be used as a guide and are subject to sight of artwork.

**Materials:** 304 stainless steel interior,  
201 stainless steel exterior, lid PP plastic  
**Colours:** Black  
**Height:** 150mm  
**Diameter:** 90mm

**Capacity:** 600ml  
**Weight:** 350g  
**Country of origin:** China  
**HS Code:** 7323930090

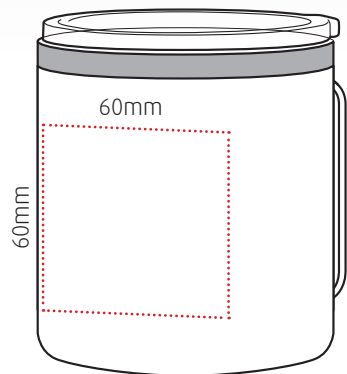
**Box dimensions:** 100 x 100 x 100 mm  
**No. per carton:** 30  
**Carton dimensions:** 52 x 32 x 26 cm  
**GW:** 13kg

# java

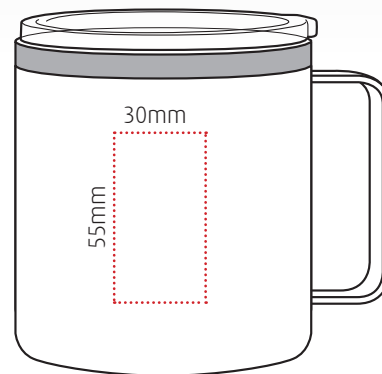
branding template

High grade 304 stainless steel vacuum mug - 350ml

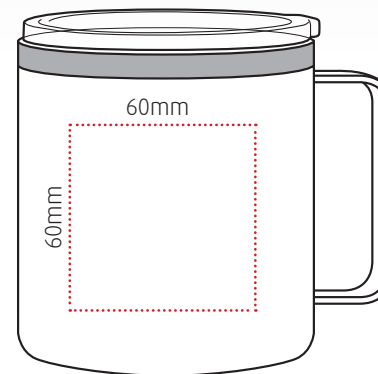
Height: 105mm Diameter: 90mm



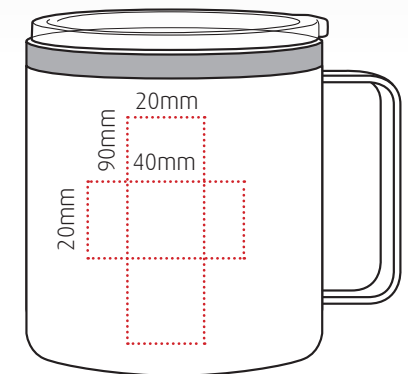
1 colour rotary screen print  
(opposite handle)



2-3 spot colours pad print



Full colour heat transfer



Laser engraving

All branding areas are to be used as a guide and are subject to sight of artwork.

**Materials:** 304 stainless steel, AS, food grade silicone  
**Colours:** Black, white, navy  
**Height:** 105mm  
**Diameter:** 90mm

**Capacity:** 350ml  
**Weight:** 260g  
**Country of origin:** China  
**HS Code:** 9617000000

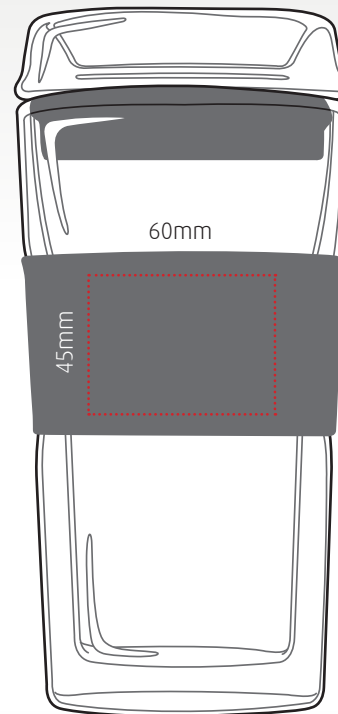
**Box dimensions:** 115 x 95 x 95 mm  
**No. per carton:** 24  
**Carton dimensions:** 40 x 30.5 x 22.5 cm  
**GW:** 7kg

# milan

branding template

Durable and robust, double-wall glass mug - 340ml

Height: 160mm Diameter: 80mm



1 colour rotary screen print

All branding areas are to be used as a guide and are subject to sight of artwork.

**Materials:** High borosilicate glass, food grade silicone  
**Colours:** Black, white, dark blue  
**Height:** 160mm  
**Diameter:** 80mm

**Capacity:** 340ml  
**Weight:** 268g  
**Country of origin:** China  
**HS Code:** 701337

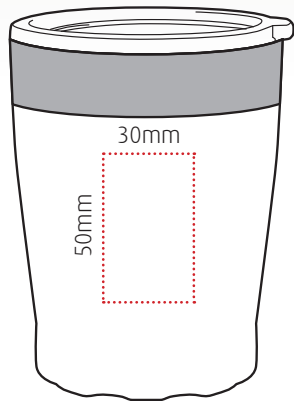
**Box dimensions:** 85 x 85 x 185mm  
**No. per carton:** 20  
**Carton dimensions:** 45.5 x 36.5 x 22 cm  
**GW:** 7.4kg

# oyster

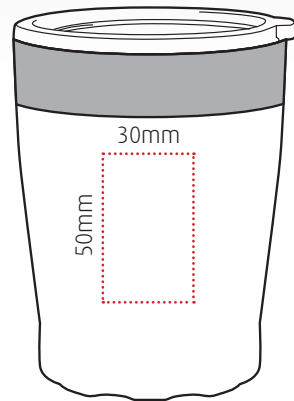
branding template

Powder coated, stainless steel, insulated mug - 350ml

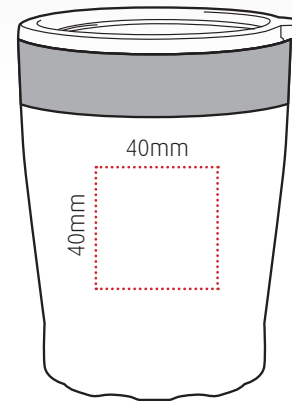
Height: 118mm Width: 88mm (top), 73.2mm (base)



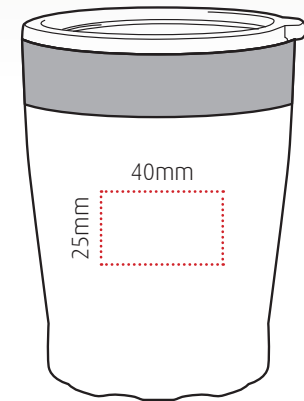
1 colour rotary screen print



Up to 2 spot colours pad print



Full colour heat transfer



Laser engraving

All branding areas are to be used as a guide and are subject to sight of artwork.

**Materials:** 304 stainless steel, Tritan, food grade silicone  
**Colours:** Black, white, dark blue PMS2378C, red  
**Height:** 115mm  
**Diameter:** 90mm (top), 70mm (base)

**Capacity:** 350ml  
**Weight:** 247g  
**Country of origin:** China  
**HS Code:** 9617000000

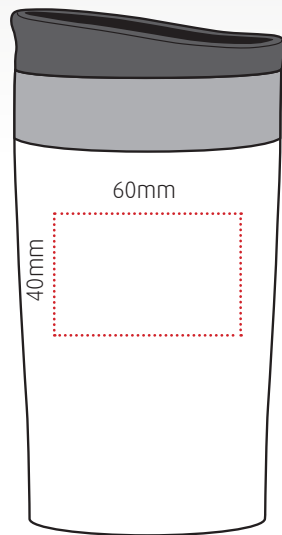
**Box dimensions:** 90 x 90 x 130 mm  
**No. per carton:** 24  
**Carton dimensions:** 47 x 47 x 28.5 cm  
**GW:** 13kg

# arusha

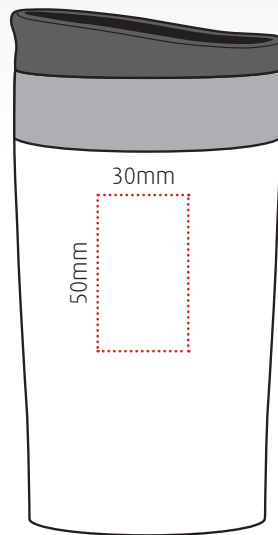
branding template

Powder coated, stainless steel, insulated cup - 350 ml

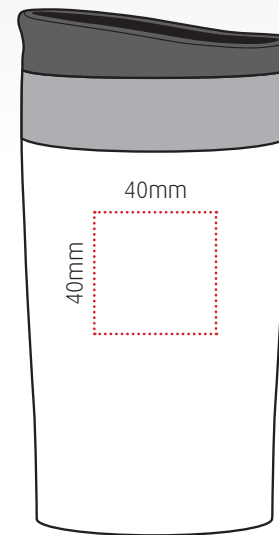
Height: 144mm Diameter: 76mm



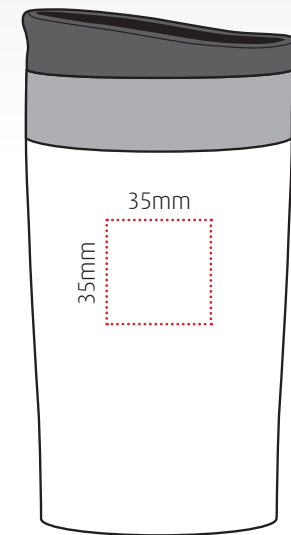
1 colour rotary screen print



Up to 2 spot colours pad print



Full colour heat transfer



Laser engraving

All branding areas are to be used as a guide and are subject to sight of artwork.

**Materials:** 304 stainless steel, PP, food grade silicone  
**Colours:** Black, white, dark blue PMS2378C, Grey PMS 418C  
**Height:** 115mm  
**Diameter:** 90mm (top), 70mm (base)

**Capacity:** 350ml  
**Weight:** 208g  
**Country of origin:** China  
**HS Code:** 9617000000

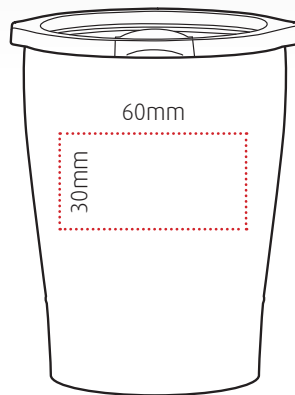
**Box dimensions:** 80 x 80 x 150 mm  
**No. per carton:** 50  
**Carton dimensions:** 42 x 42 x 32 cm  
**GW:** 12.45kg

# mocha

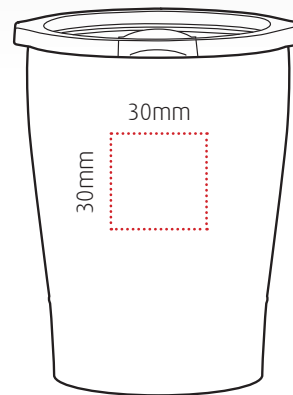
branding template

Insulated, stainless steel, espresso cup - 260 ml

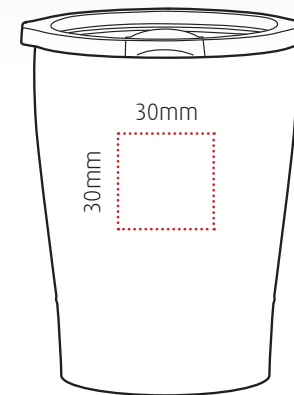
Height: 100mm Width: 75mm (top), 58mm (base)



1 colour rotary screen print



Up to 2 spot colours pad print



Full colour heat transfer

All branding areas are to be used as a guide and are subject to sight of artwork.

**Materials:** 304 stainless steel, Tritan, food grade, silicone  
**Colours:** Black, white  
**Height:** 100mm  
**Diameter:** 75mm (top), 58mm (base)

**Capacity:** 260ml  
**Weight:** 144g  
**Country of origin:** China  
**HS Code:** 9617000000

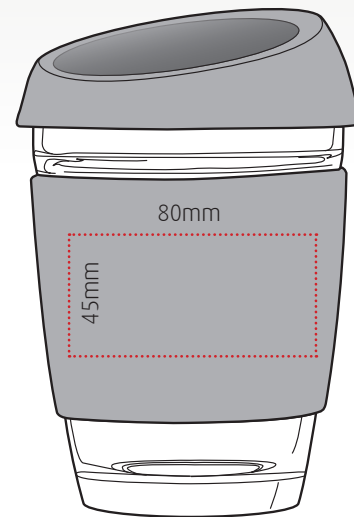
**Box dimensions:** 80 x 105 x 80 mm  
**No. per carton:** 50  
**Carton dimensions:** 45 x 45 x 23.5 cm  
**GW:** 10kg

# café glass cup

branding template

Borosilicate glass cup with coordinated silicone lid and band - 350ml

Height: 134mm Diameter: 91mm



Additional colours  
available upon request  
with heat transfer.  
Contact us for  
costs/lead times.

1 colour rotary screen print

All branding areas are to be used as a guide and are subject to sight of artwork.

**Materials:** Borosilicate glass, food grade, silicone  
**Colours:** Black, white, reflex blue, grey  
**Height:** 134mm  
**Diameter:** 91mm

**Capacity:** 350ml  
**Weight:** 350g  
**Country of origin:** China  
**HS Code:** 7013990000

**Box dimensions:** 93 x 93 x 135 mm  
**No. per carton:** 50  
**Carton dimensions:** 30 x 50 x 50 cm  
**GW:** 18.5kg

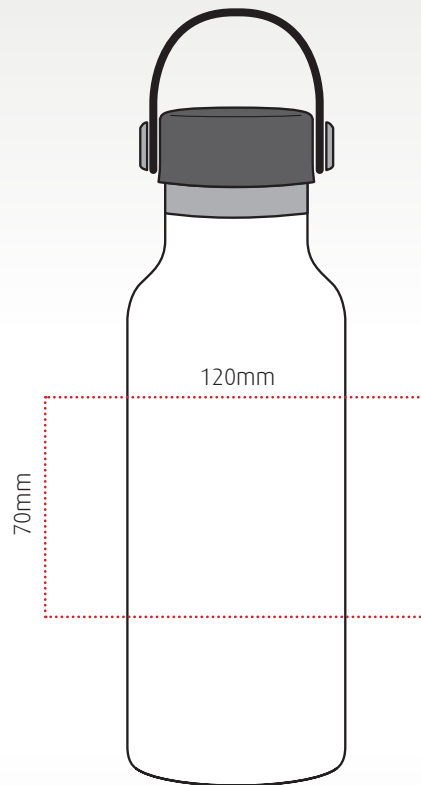


# santos

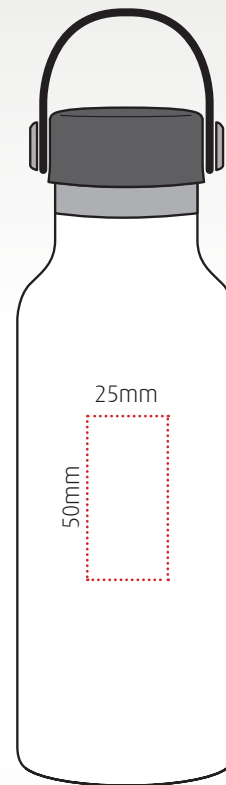
branding template

Elegant, double-walled, stainless steel bottle - 500ml

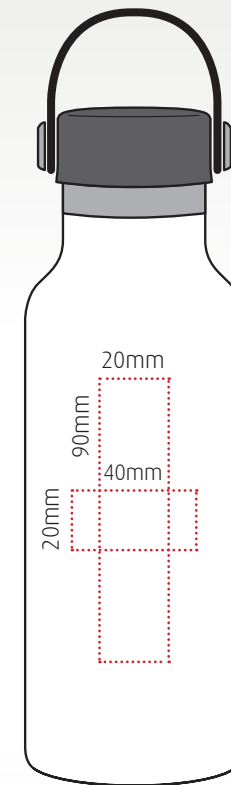
Height: 215mm Width: 73mm



1 colour rotary screen print



Up to 4 spot colours pad print



Laser engraving

All branding areas are to be used as a guide and are subject to sight of artwork.

**Materials:** 304 stainless steel, copper lining, food grade silicone, PE, PP plastic

**Colours:** Black, white, grey, navy, khaki

**Height:** 215mm

**Diameter:** 73mm

**Capacity:** 500ml

**Weight:** 274g

**Country of origin:** China

**HS Code:** 7323930090

**Box dimensions:** 78 x 78 x 228 mm

**No. per carton:** 30

**Carton dimensions:** 48 x 40 x 25 cm

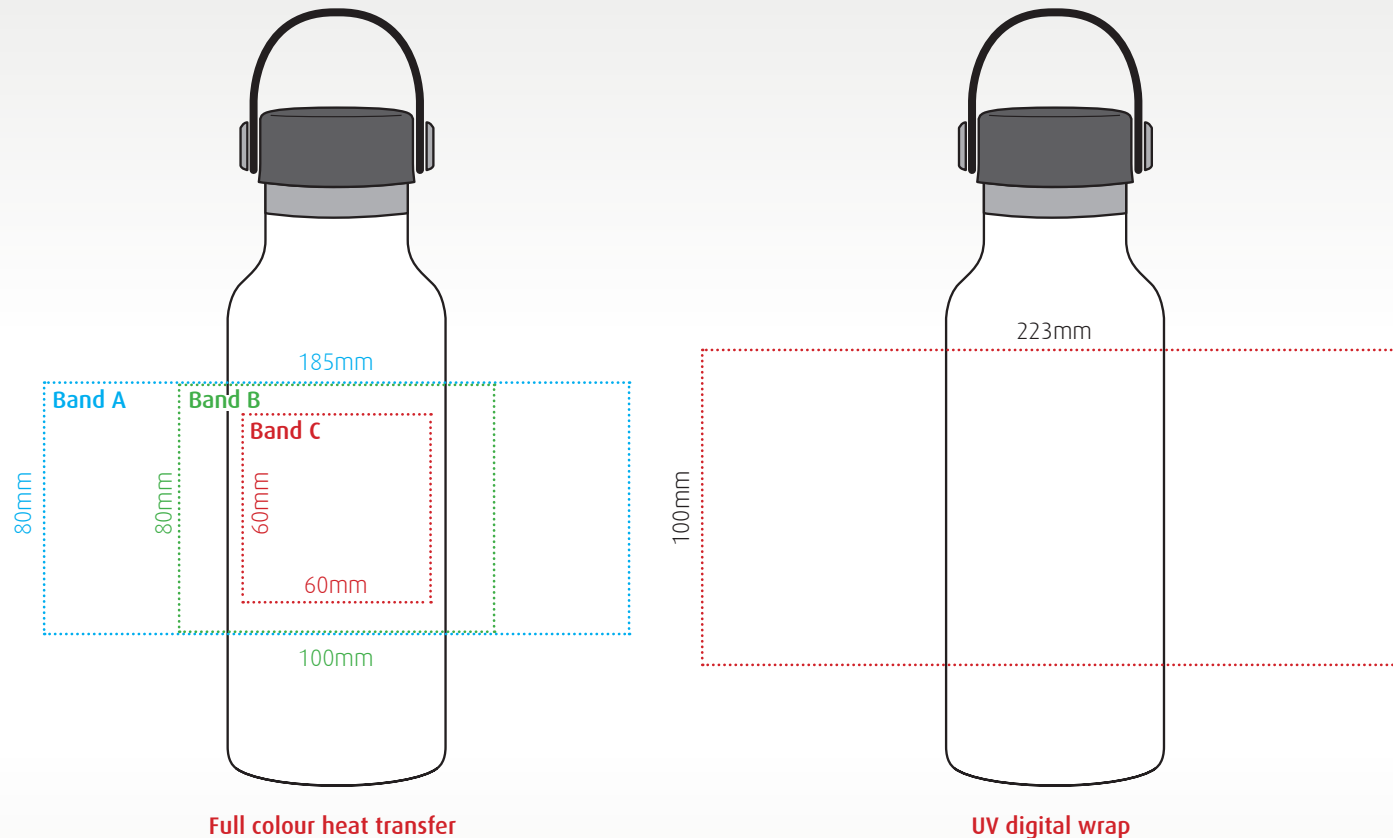
**GW:** 12kg

# santos

branding template

Elegant, double-walled, stainless steel bottle - 500ml

Height: 215mm Width: 73mm



All branding areas are to be used as a guide and are subject to sight of artwork.

**Materials:** 304 stainless steel, copper lining, food grade silicone, PE, PP plastic

**Colours:** Black, white, grey, navy, khaki

**Height:** 215mm

**Diameter:** 73mm

**Capacity:** 500ml

**Weight:** 274g

**Country of origin:** China

**HS Code:** 7323930090

**Box dimensions:** 78 x 78 x 228 mm

**No. per carton:** 30

**Carton dimensions:** 48 x 40 x 25 cm

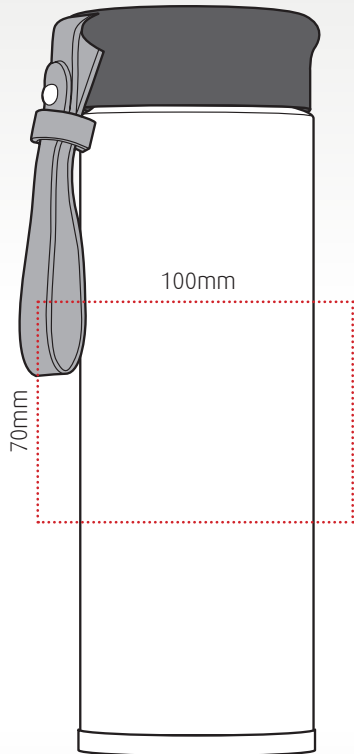
**GW:** 12kg

# maji

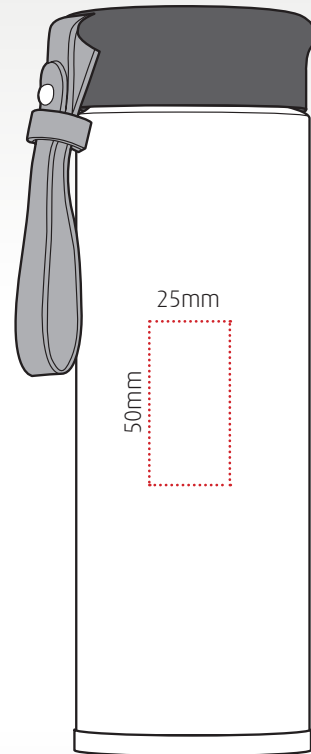
branding template

Powder coated, double-walled, stainless steel bottle with soft touch lid - 450 ml

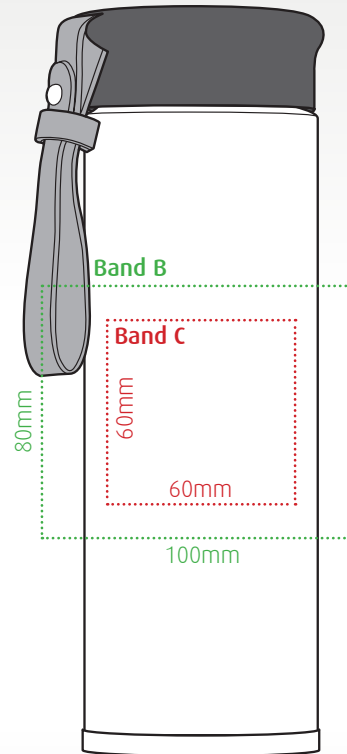
Height: 200mm Width: 77mm (top), 65mm (base)



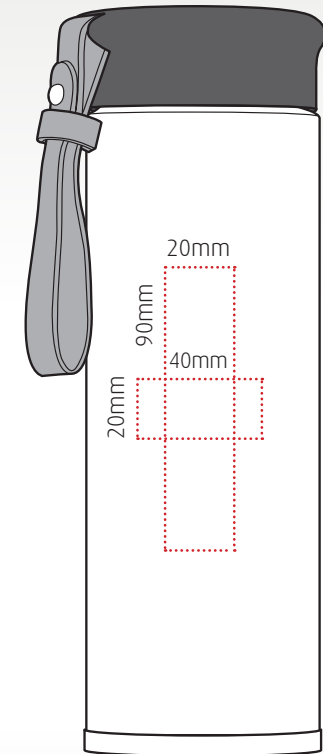
1 colour rotary screen print



Up to 4 spot colours pad print



Full colour heat transfer



Laser engraving

All branding areas are to be used as a guide and are subject to sight of artwork.

**Materials:** 304 stainless steel, silicone, PU  
**Colours:** Olive  
**Height:** 200mm  
**Diameter:** 77mm (top), 65mm (base)

**Capacity:** 450ml  
**Weight:** 230g  
**Country of origin:** China  
**HS Code:** 7323930090

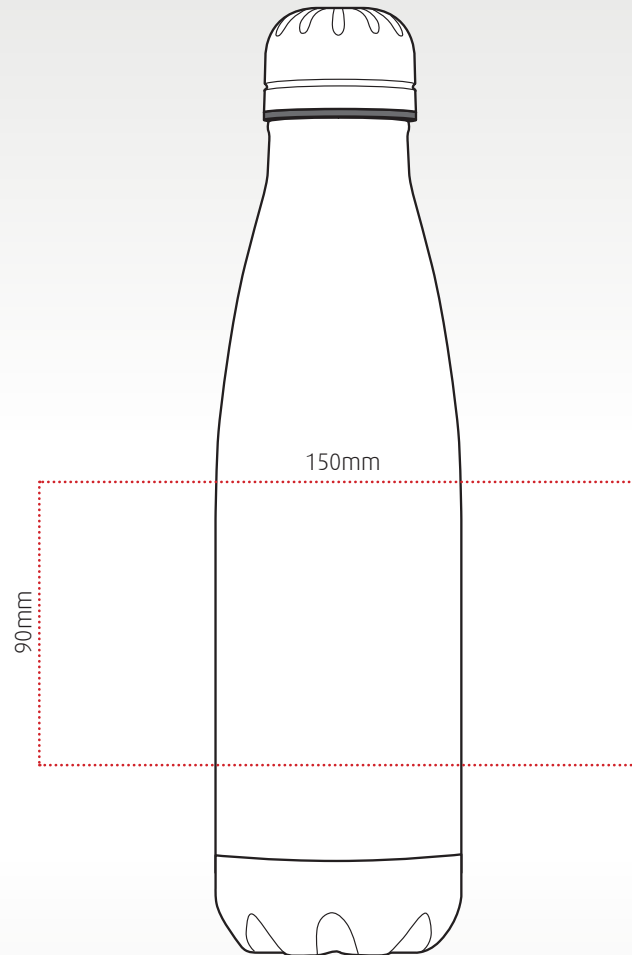
**Box dimensions:** 75 x 75 x 215 mm  
**No. per carton:** 40  
**Carton dimensions:** 48 x 40 x 45 cm  
**GW:** 18kg

# oasis

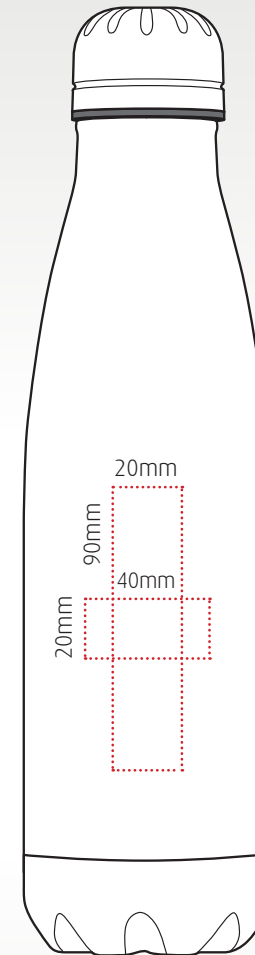
branding template

Classic, stainless steel, insulated bottle - 500ml

Height: 270mm Width: 67mm



Up to 8 colours rotary screen print



Laser engraving

All branding areas are to be used as a guide and are subject to sight of artwork.

**Materials:** 304 stainless steel, copper lining, food grade silicone seal, ABS  
**Colours (Powder Coated):** Black, white, gun metal 418C, dark blue 287U, light blue 291U, aubergine 268U, navy 2378C, light pink 2043U, rubine 225U, aqua 317U, yellow 108U, orange 021U, green 361C, papaya 1375C, red 186U, khaki 350U

**Colours (Polished):** Black, white, grey  
**Colours (Classic Range):** Black, white, gun metal, silver  
**Colours (Electroplated):** Rose gold, copper, black/chrome, blue/chrome, red/chrome, rainbow

**Height:** 270mm  
**Diameter:** 67mm  
**Capacity:** 500ml  
**Weight:** 288g  
**Country of origin:** China

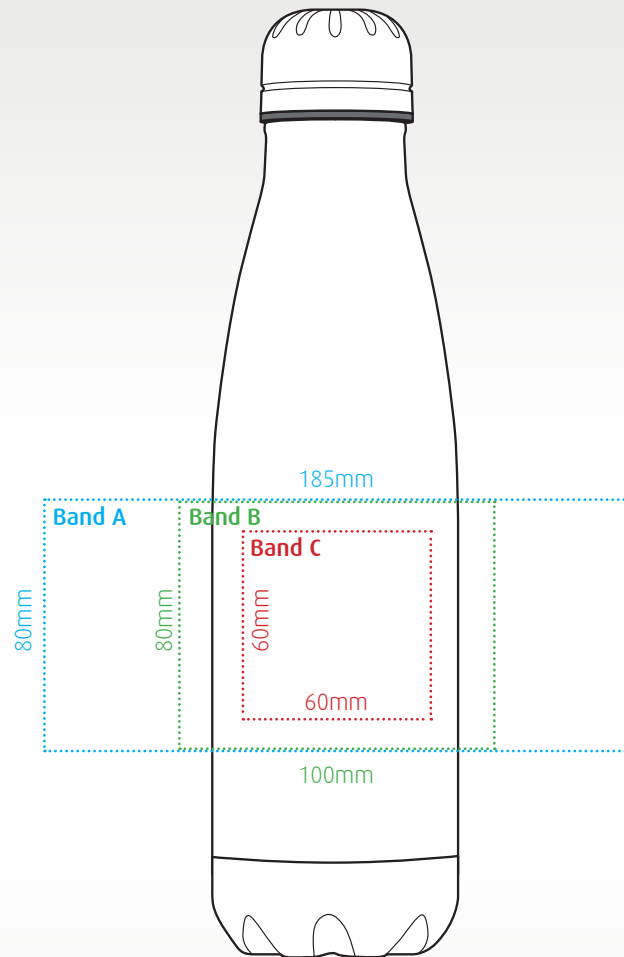
**HS Code:** 7323930090  
**Box dimensions:** 75 x 75 x 275 mm  
**No. per carton:** 30  
**Carton dimensions:** 46.5 x 39 x 30 cm  
**GW:** 12kg

# oasis

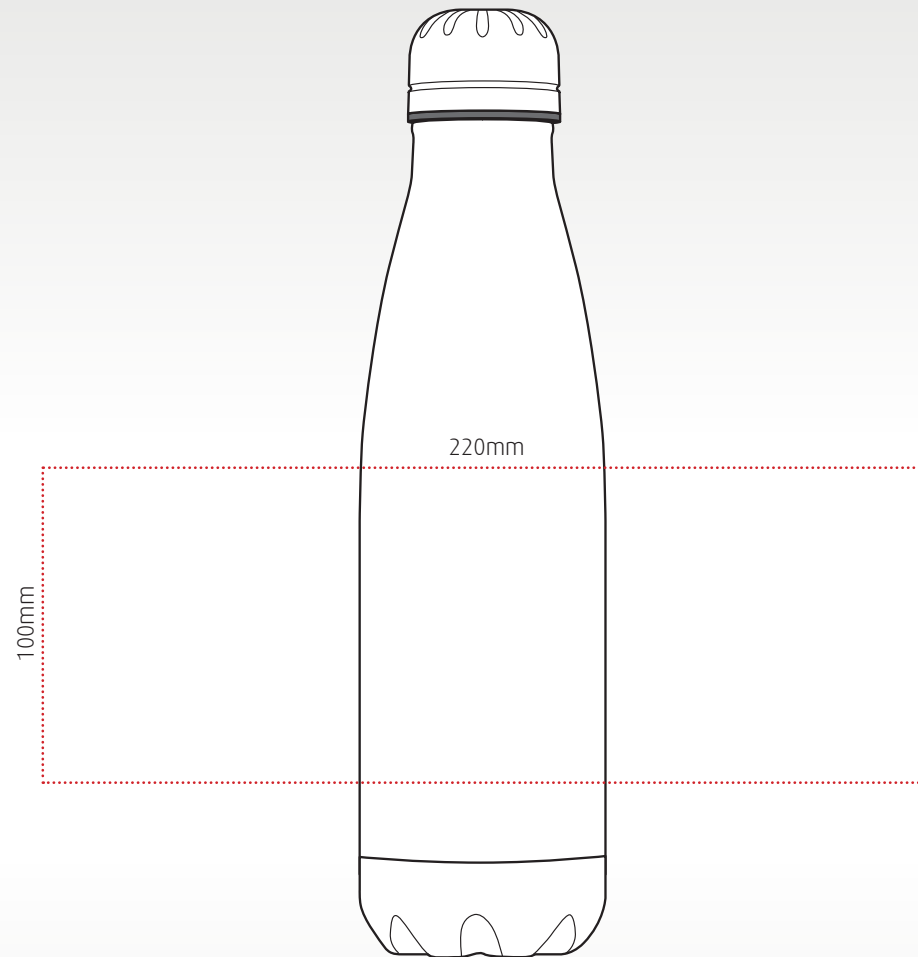
branding template

Classic, stainless steel, insulated bottle - 500ml

Height: 270mm Width: 67mm



Full colour heat transfer



UV digital wrap

All branding areas are to be used as a guide and are subject to sight of artwork.

**Materials:** 304 stainless steel, copper lining, food grade silicone seal, ABS

**Colours (Powder Coated):** Black, white, gun metal 418C, dark blue 287U, light blue 291U, aubergine 268U, navy 2378C, light pink 2043U, rubine 225U, aqua 317U, yellow 108U, orange 021U, green 361C, papaya 1375C, red 186U, khaki 350U

**Colours (Polished):** Black, white, grey

**Colours (Classic Range):** Black, white, gun metal, silver

**Colours (Electroplated):** Rose gold, copper, black/chrome, blue/chrome, red/chrome, rainbow

**Height:** 270mm

**Diameter:** 67mm

**Capacity:** 500ml

**Weight:** 288g

**Country of origin:** China

**HS Code:** 7323930090

**Box dimensions:** 75 x 75 x 275 mm

**No. per carton:** 30

**Carton dimensions:** 46.5 x 39 x 30 cm

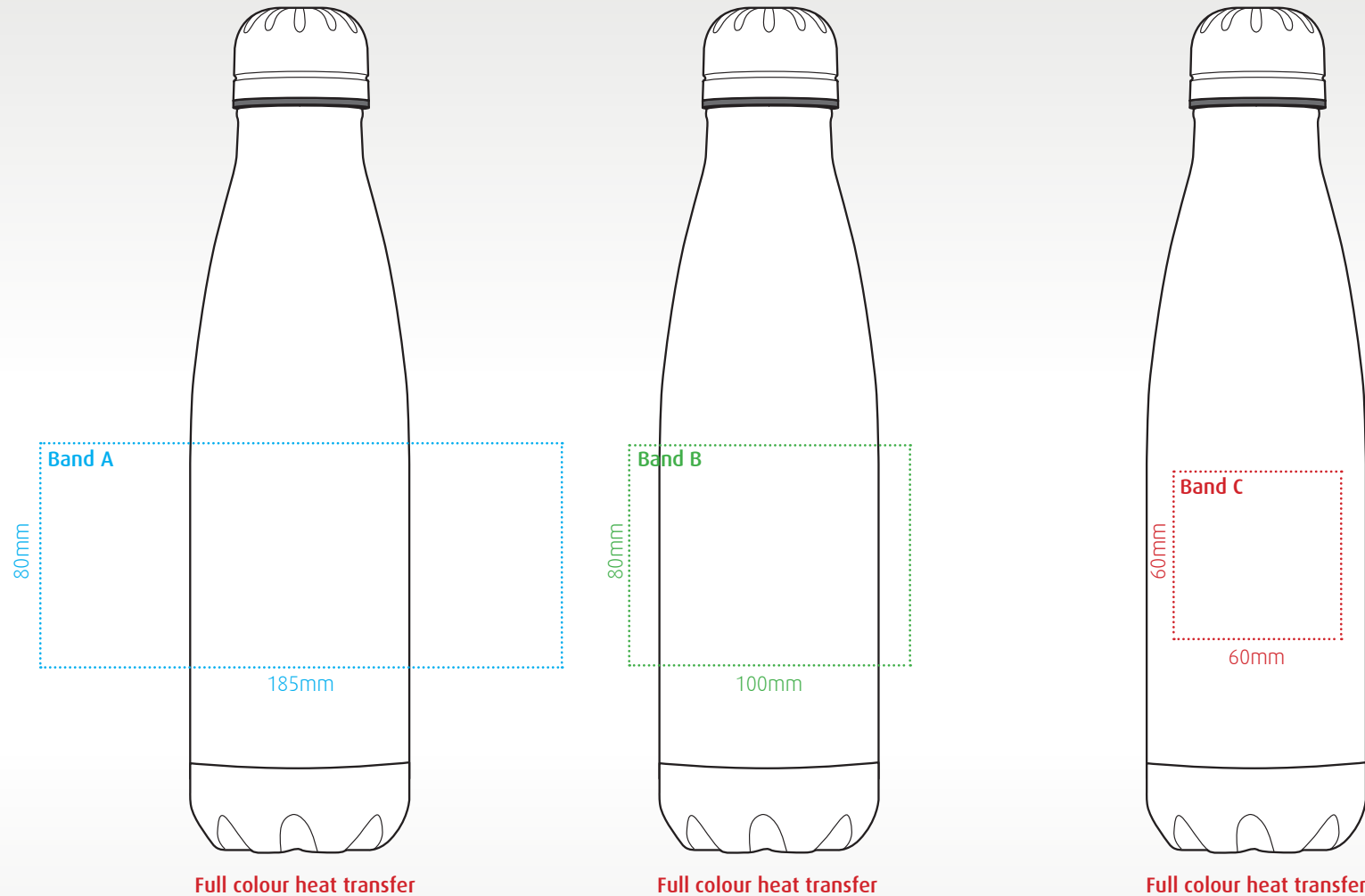
**GW:** 12kg

# oasis

branding template

Classic, stainless steel, insulated bottle - 500ml

Height: 270mm Width: 67mm



All branding areas are to be used as a guide and are subject to sight of artwork.

**Materials:** 304 stainless steel, copper lining, food grade silicone seal, ABS  
**Colours (Powder Coated):** Black, white, gun metal 418C, dark blue 287U, light blue 291U, aubergine 268U, navy 2378C, light pink 2043U, rubine 225U, aqua 317U, yellow 108U, orange 021U, green 361C, papaya 1375C, red 186U, khaki 350U

**Colours (Polished):** Black, white, grey  
**Colours (Classic Range):** Black, white, gun metal, silver  
**Colours (Electroplated):** Rose gold, copper, black/chrome, blue/chrome, red/chrome, rainbow

**Height:** 270mm  
**Diameter:** 67mm  
**Capacity:** 500ml  
**Weight:** 288g  
**Country of origin:** China

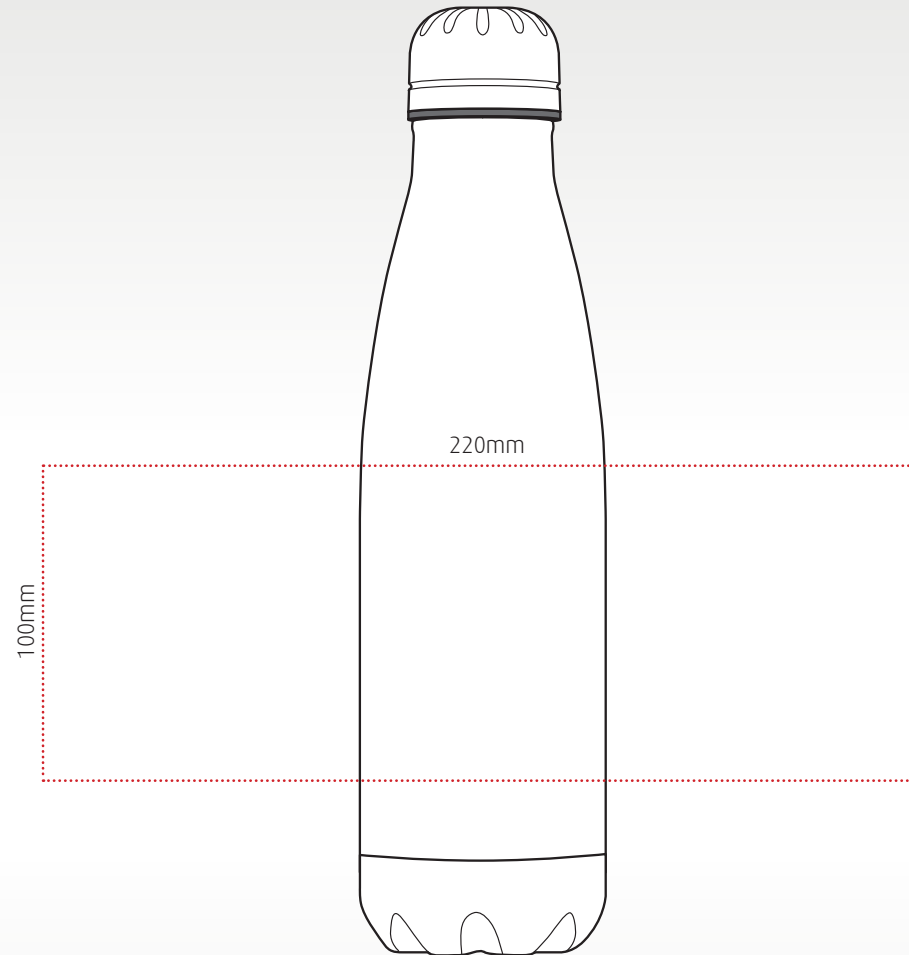
**HS Code:** 7323930090  
**Box dimensions:** 75 x 75 x 275 mm  
**No. per carton:** 30  
**Carton dimensions:** 46.5 x 39 x 30 cm  
**GW:** 12kg

# oasis

branding template

Classic, stainless steel, insulated bottle - 500ml

Height: 270mm Width: 67mm



UV digital wrap

All branding areas are to be used as a guide and are subject to sight of artwork.

**Materials:** 304 stainless steel, copper lining, food grade silicone seal, ABS  
**Colours (Powder Coated):** Black, white, gun metal 418C, dark blue 287U, light blue 291U, aubergine 268U, navy 2378C, light pink 2043U, rubine 225U, aqua 317U, yellow 108U, orange 021U, green 361C, papaya 1375C, red 186U, khaki 350U

**Colours (Polished):** Black, white, grey  
**Colours (Classic Range):** Black, white, gun metal, silver  
**Colours (Electroplated):** Rose gold, copper, black/chrome, blue/chrome, red/chrome, rainbow

**Height:** 270mm  
**Diameter:** 67mm  
**Capacity:** 500ml  
**Weight:** 288g  
**Country of origin:** China

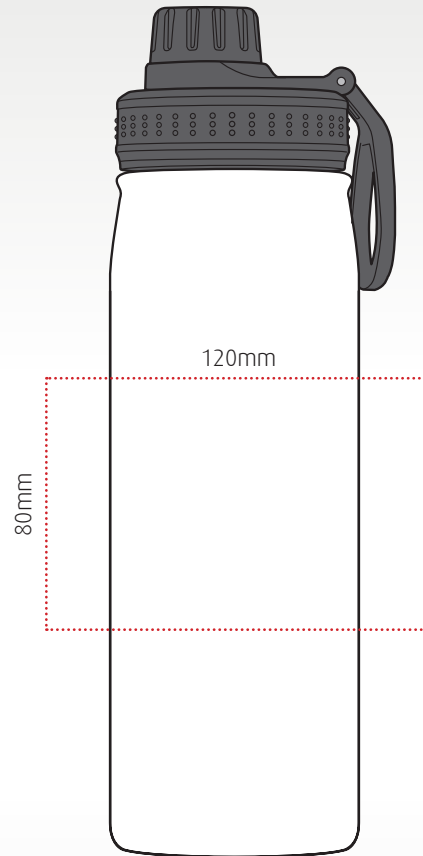
**HS Code:** 7323930090  
**Box dimensions:** 75 x 75 x 275 mm  
**No. per carton:** 30  
**Carton dimensions:** 46.5 x 39 x 30 cm  
**GW:** 12kg

# k2

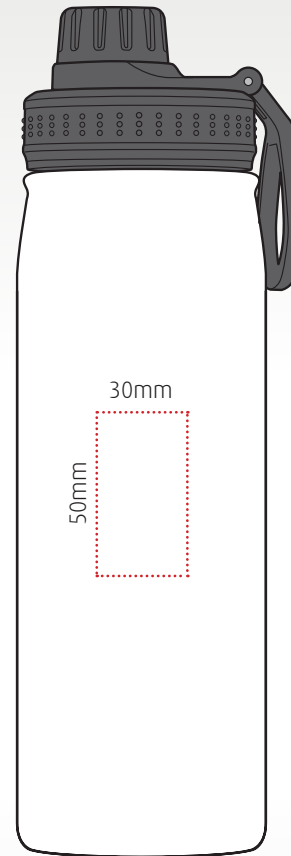
branding template

Durable, insulated, stainless steel bottle - 650ml

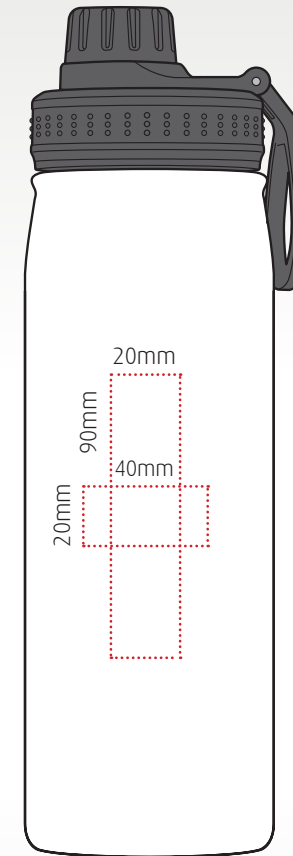
Height: 251mm Width: 74mm



1 colour rotary screen print



Up to 4 spot colours pad print



Laser engraving

All branding areas are to be used as a guide and are subject to sight of artwork.

**Materials:** 304 stainless steel, food grade silicone, PP plastic  
**Colours:** Black, white, blue, black/red, black/orange, black/blue, black/white  
**Height:** 250mm  
**Diameter:** 73mm

**Capacity:** 650ml  
**Weight:** 347g  
**Country of origin:** China  
**HS Code:** 7323930090

**Box dimensions:** 85 x 85 x 255 mm  
**No. per carton:** 24  
**Carton dimensions:** 52.5 x 35.5 x 28 cm  
**GW:** 10kg

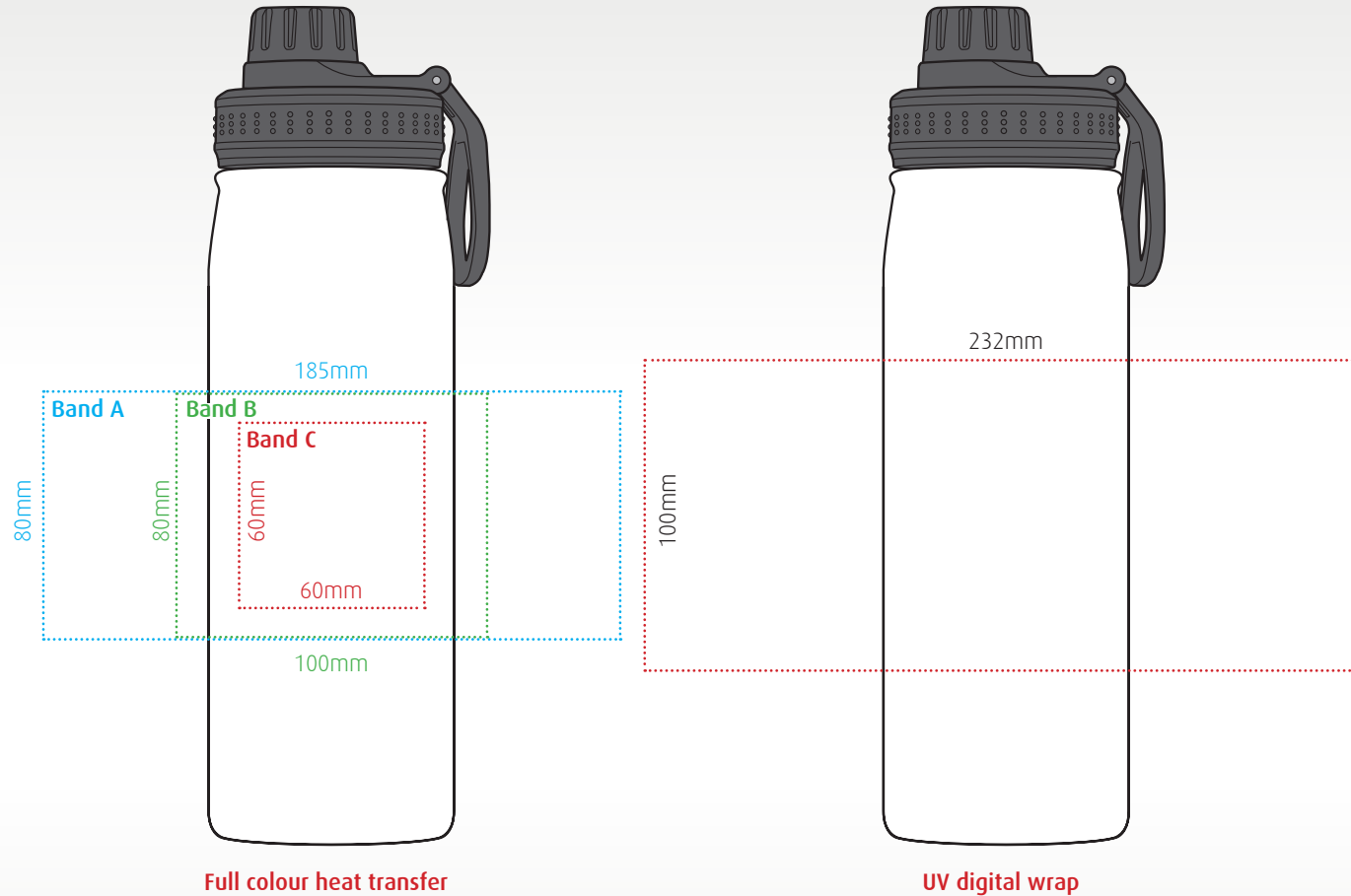


# k2

branding template

Durable, insulated, stainless steel bottle - 650ml

Height: 251mm Width: 74mm



All branding areas are to be used as a guide and are subject to sight of artwork.

**Materials:** 304 stainless steel, food grade silicone, PP plastic  
**Colours:** Black, white, blue, black/red, black/orange, black/blue, black/white  
**Height:** 250mm  
**Diameter:** 73mm

**Capacity:** 650ml  
**Weight:** 347g  
**Country of origin:** China  
**HS Code:** 7323930090

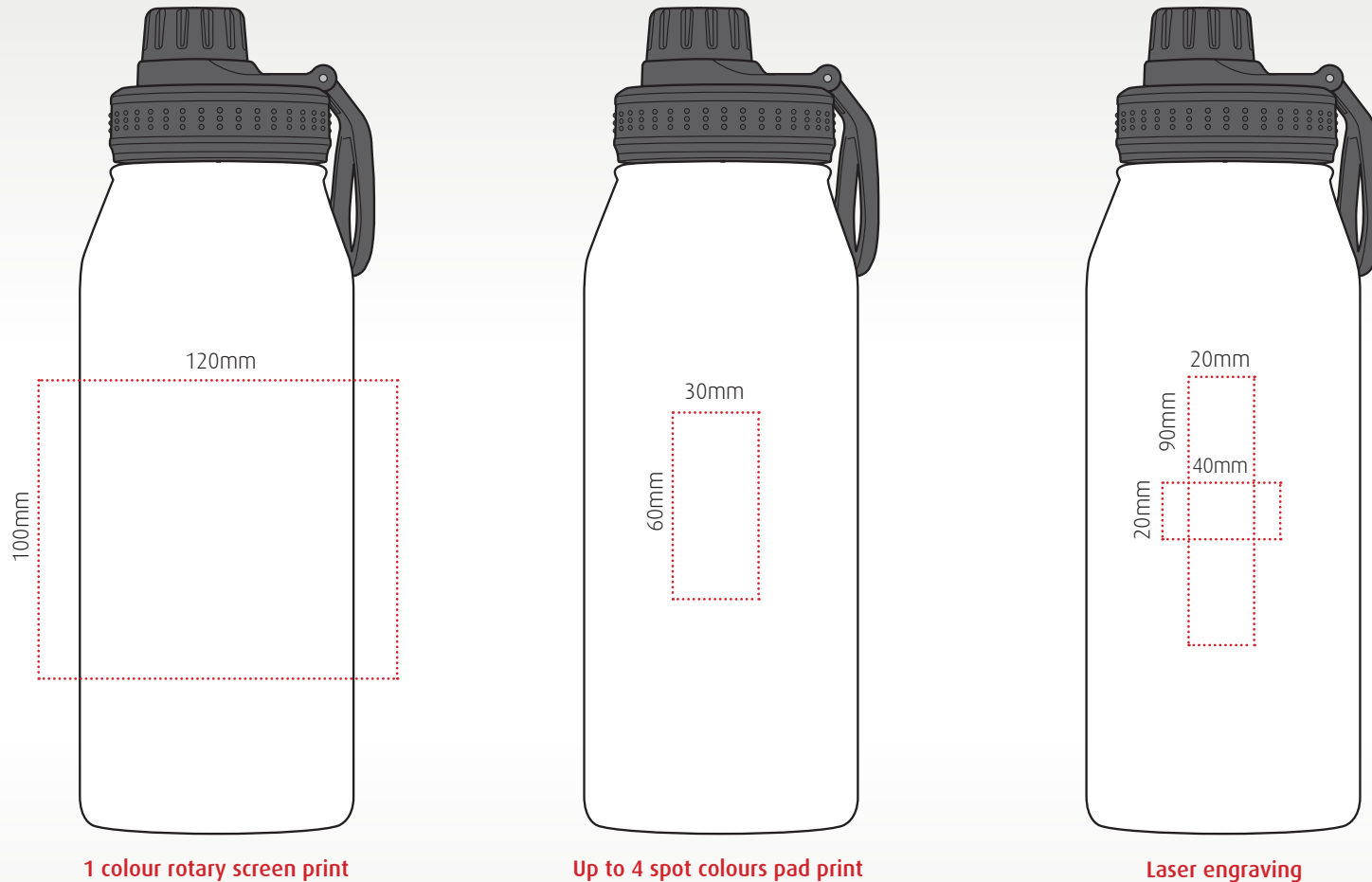
**Box dimensions:** 85 x 85 x 255 mm  
**No. per carton:** 24  
**Carton dimensions:** 52.5 x 35.5 x 28 cm  
**GW:** 10kg

# everest

branding template

Large capacity, double-walled, stainless steel bottle - 950ml

Height: 260mm Width: 85mm



All branding areas are to be used as a guide and are subject to sight of artwork.

**Materials:** 304 stainless steel, food grade silicone, PP plastic  
**Colours:** Black, white  
**Height:** 260mm  
**Diameter:** 85mm (base)

**Capacity:** 950ml  
**Weight:** 422g  
**Country of origin:** China  
**HS Code:** 7323930090

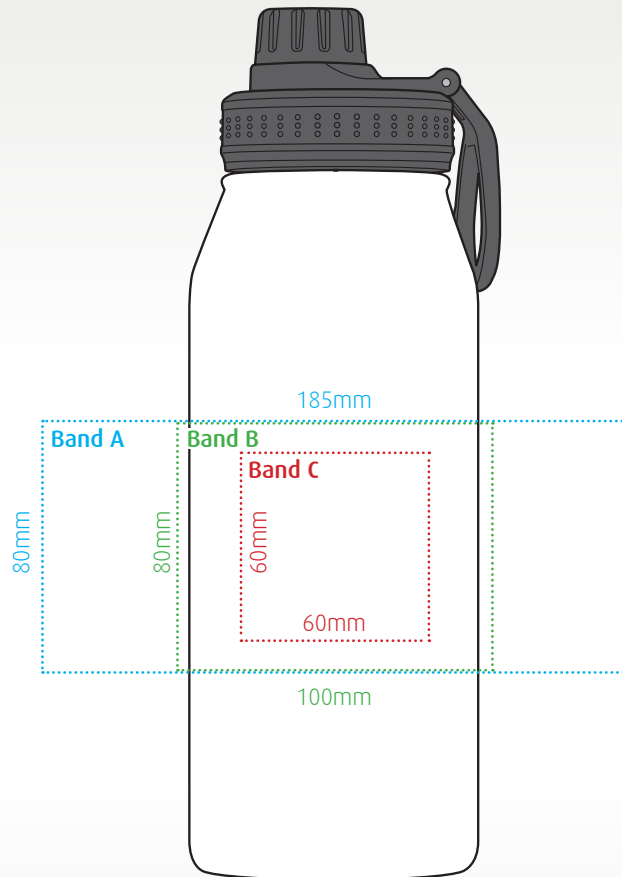
**Box dimensions:** 93 x 93 x 270 mm  
**No. per carton:** 24  
**Carton dimensions:** 58 x 39.5 x 29 cm  
**GW:** 12.3kg

# everest

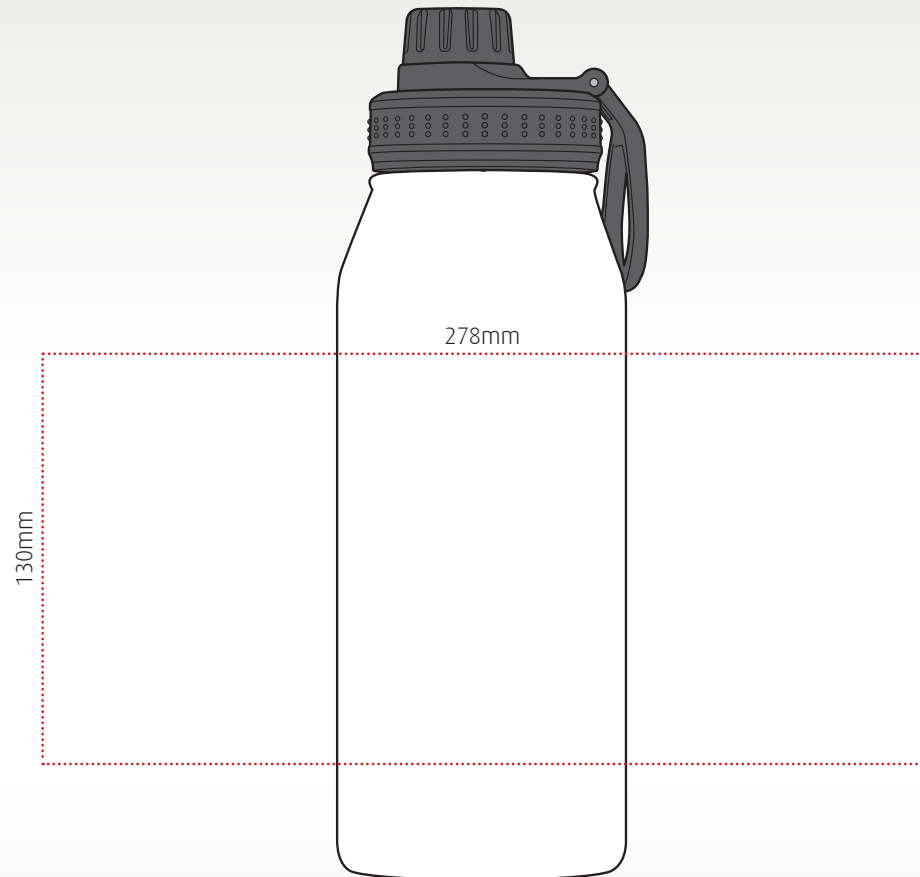
branding template

Large capacity, double-walled, stainless steel bottle - 950ml

Height: 260mm Width: 85mm



Full colour heat transfer



UV digital wrap

All branding areas are to be used as a guide and are subject to sight of artwork.

**Materials:** 304 stainless steel, food grade silicone, PP plastic  
**Colours:** Black, white  
**Height:** 260mm  
**Diameter:** 85mm (base)

**Capacity:** 950ml  
**Weight:** 422g  
**Country of origin:** China  
**HS Code:** 7323930090

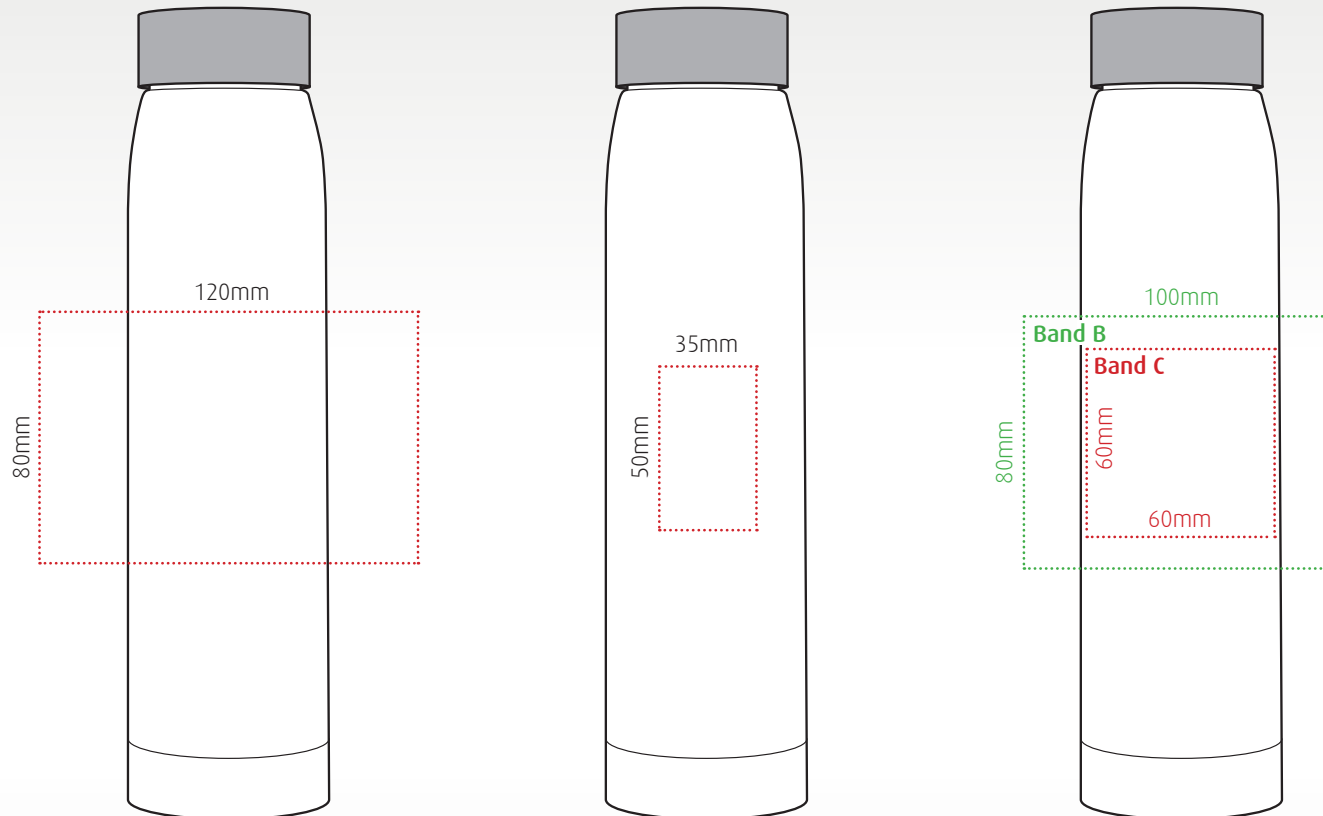
**Box dimensions:** 93 x 93 x 270 mm  
**No. per carton:** 24  
**Carton dimensions:** 58 x 39.5 x 29 cm  
**GW:** 12.3kg

# mirage

branding template

Slimline, insulated, stainless steel bottle - 320 ml

Height: 226mm Width: 60mm



1 colour rotary screen print

Up to 4 spot colours pad print

Full colour heat transfer

All branding areas are to be used as a guide and are subject to sight of artwork.

**Materials:** 304 stainless steel, food grade silicone  
**Colours:** Black, gun metal, silver  
**Height:** 226mm  
**Diameter:** 60mm

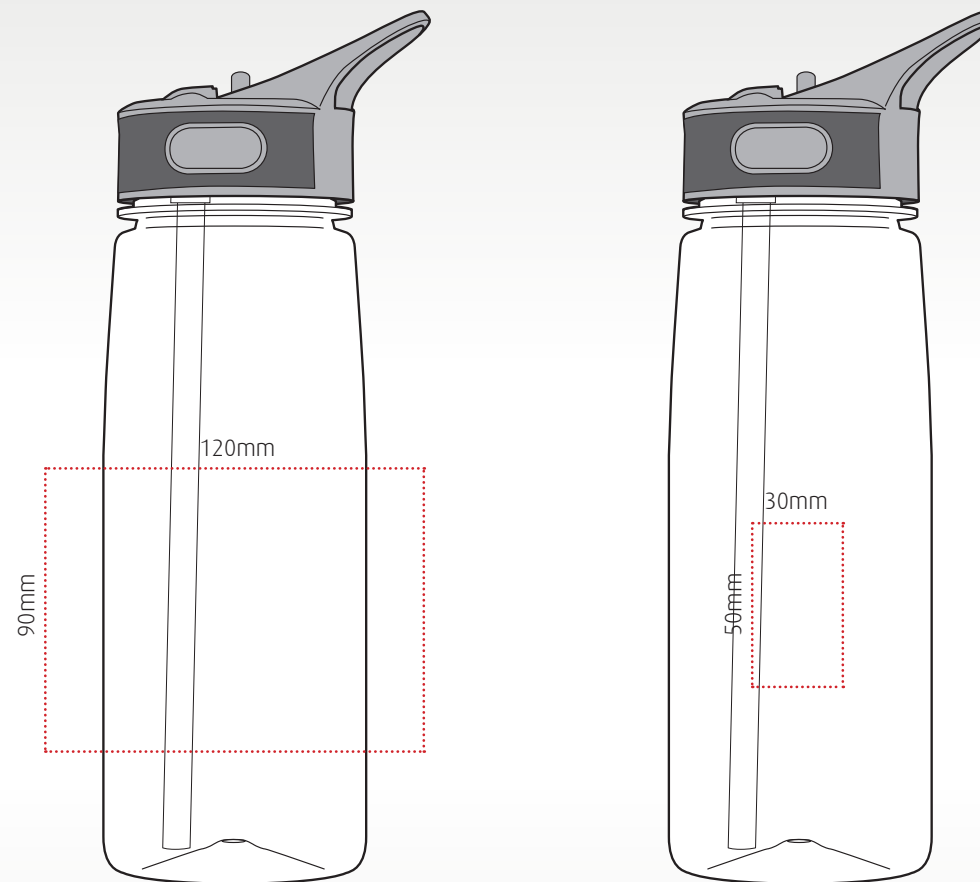
**Capacity:** 320ml  
**Weight:** 215g  
**Country of origin:** China  
**HS Code:** 7323930090

**Box dimensions:** 64 x 62 x 280 mm  
**No. per carton:** 50  
**Carton dimensions:** 34 x 34 x 48.6 cm  
**GW:** 13.1kg

# aqua

Large capacity, Tritan bottle with flip-up straw - 800ml

Height: 260mm Width: 75mm



1 colour rotary screen print

2-3 spot colours pad print

All branding areas are to be used as a guide and are subject to sight of artwork.

**Materials:** Tritan, food grade silicone, PP and ABS  
**Colours:** Clear, dark blue 286C, orange 1585C, red 186C  
**Height:** 260mm  
**Diameter:** 75mm

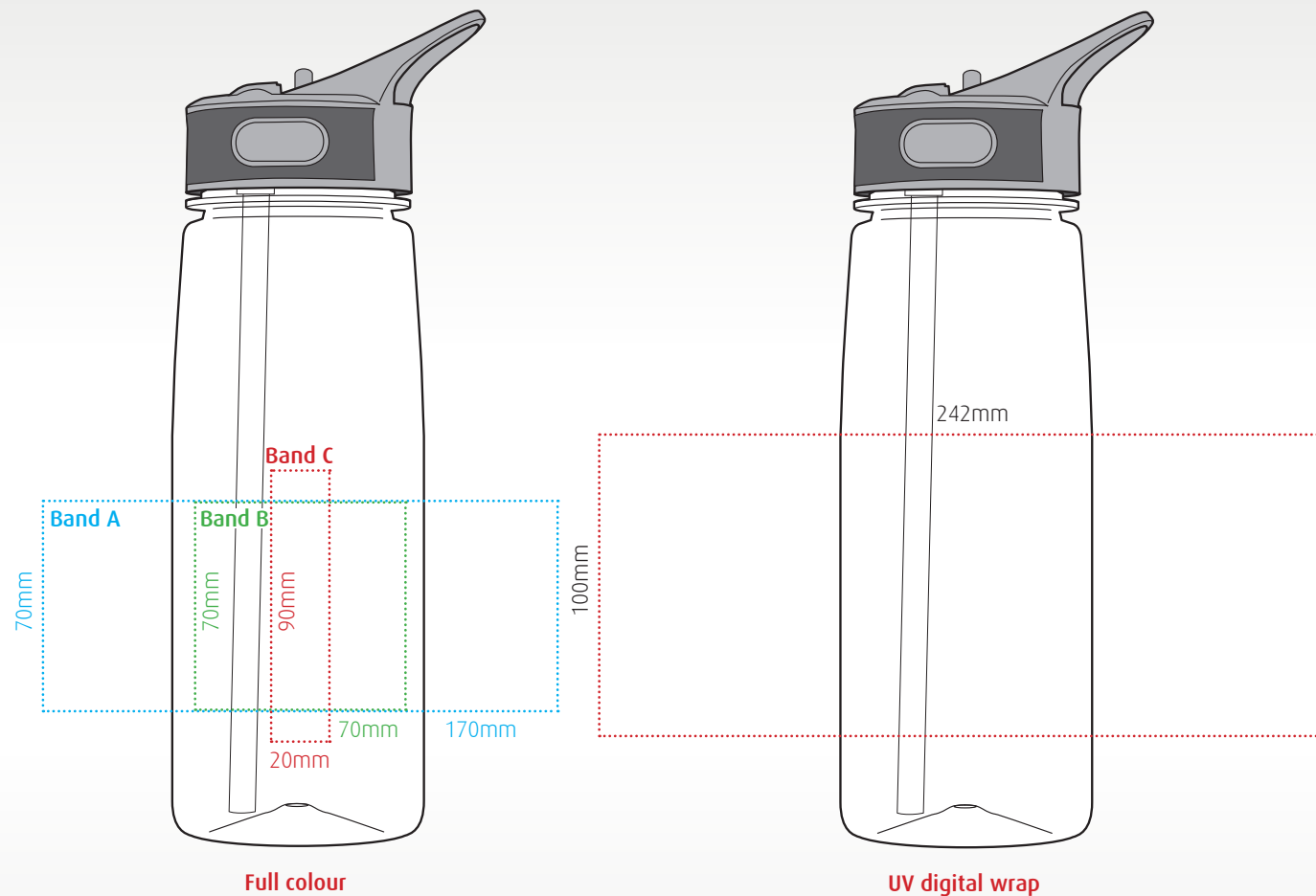
**Capacity:** 800ml  
**Weight:** 149g  
**Country of origin:** China  
**HS Code:** 3924100000

**No. per carton:** 50  
**Carton dimensions:** 40.5 x 0.5 x 53 cm  
**GW:** 9.1kg

# aqua

Large capacity, Tritan bottle with flip-up straw - 800ml

Height: 260mm Width: 75mm



All branding areas are to be used as a guide and are subject to sight of artwork.

**Materials:** Tritan, food grade silicone, PP and ABS  
**Colours:** Clear, dark blue 286C, orange 1585C, red 186C  
**Height:** 260mm  
**Diameter:** 75mm

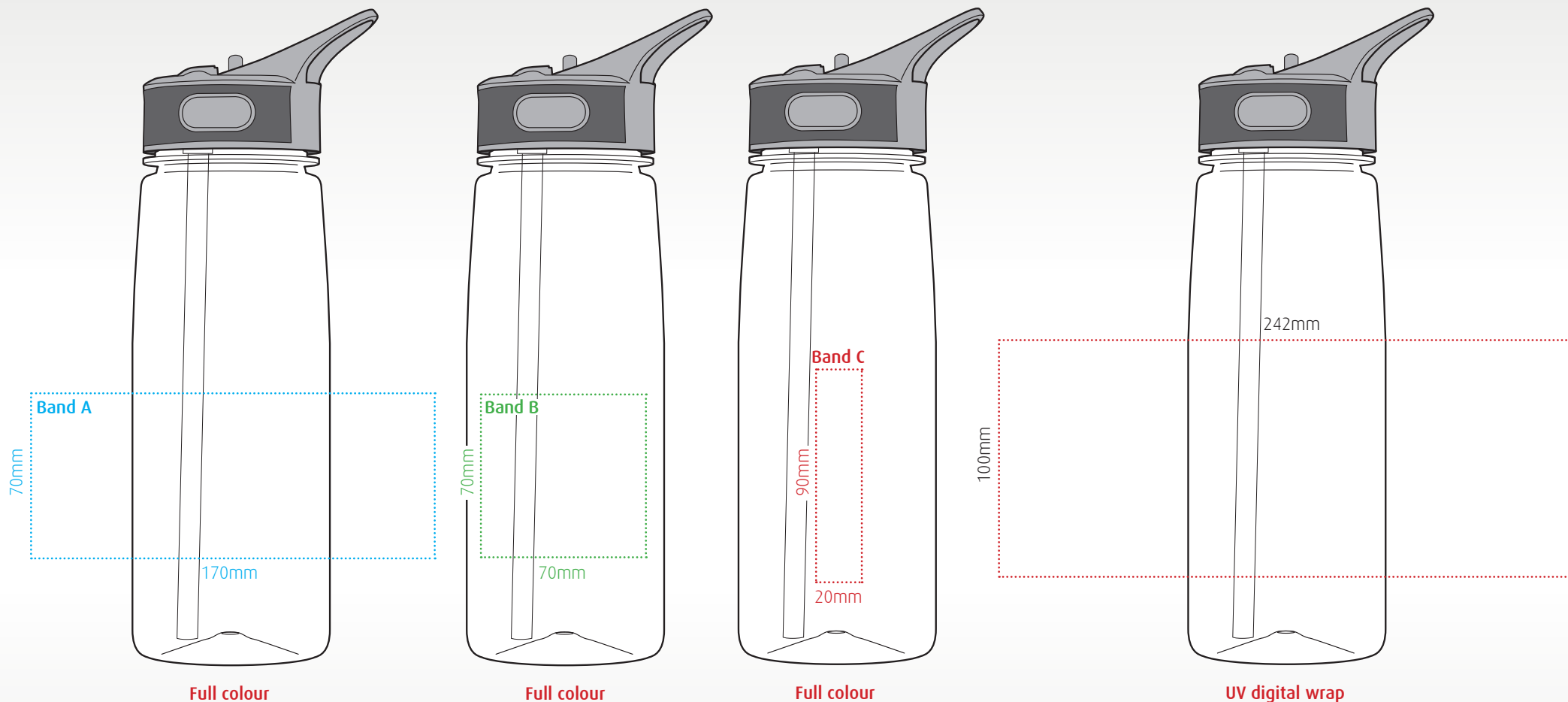
**Capacity:** 800ml  
**Weight:** 149g  
**Country of origin:** China  
**HS Code:** 3924100000

**No. per carton:** 50  
**Carton dimensions:** 40.5 x 0.5 x 53 cm  
**GW:** 9.1kg

# aqua

Large capacity, Tritan bottle with flip-up straw - 800ml

Height: 260mm Width: 75mm



All branding areas are to be used as a guide and are subject to sight of artwork.

**Materials:** Tritan, food grade silicone, PP and ABS  
**Colours:** Clear, dark blue 286C, orange 1585C, red 186C  
**Height:** 260mm  
**Diameter:** 75mm

**Capacity:** 800ml  
**Weight:** 149g  
**Country of origin:** China  
**HS Code:** 3924100000

**No. per carton:** 50  
**Carton dimensions:** 40.5 x 0.5 x 53 cm  
**GW:** 9.1kg

# glacier

branding template

Tritan sports bottle with fabric handle - 650 ml

Height: 220mm Width: 72mm



1 colour rotary screen print

Up to 2 spot colours pad print

Full colour

All branding areas are to be used as a guide and are subject to sight of artwork.

**Materials:** Tritan, silicone, PP  
**Colours:** Clear, grey  
**Height:** 220mm  
**Diameter:** 72mm

**Capacity:** 650ml  
**Weight:** 140g  
**Country of origin:** China  
**HS Code:** 3924100000

**No. per carton:** 50  
**Carton dimensions:** 42 x 42 x 48 cm  
**GW:** 6.8kg

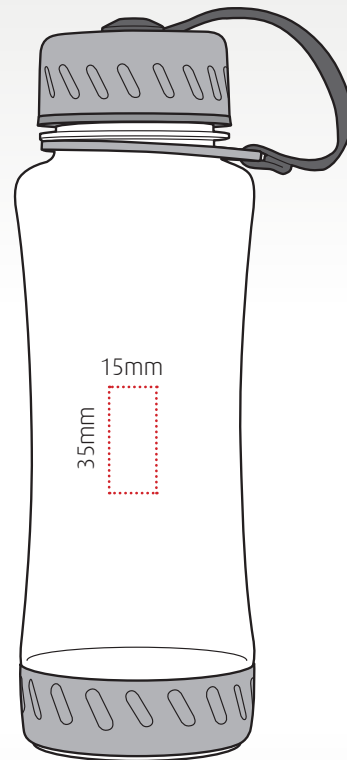


# revive

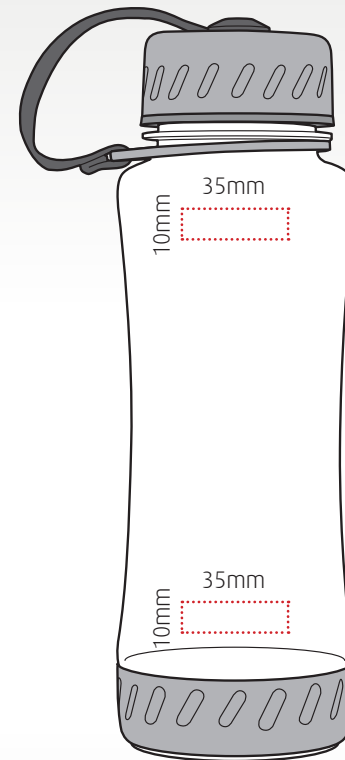
branding template

Tritan sports bottle with stainless steel lid and base - 650ml

Height: 220mm Width: 70mm



1 colour pad print



2 spot colours pad print

All branding areas are to be used as a guide and are subject to sight of artwork.

**Materials:** Tritan, stainless steel, silicone  
**Colours:** Blue  
**Height:** 220mm  
**Diameter:** 70mm

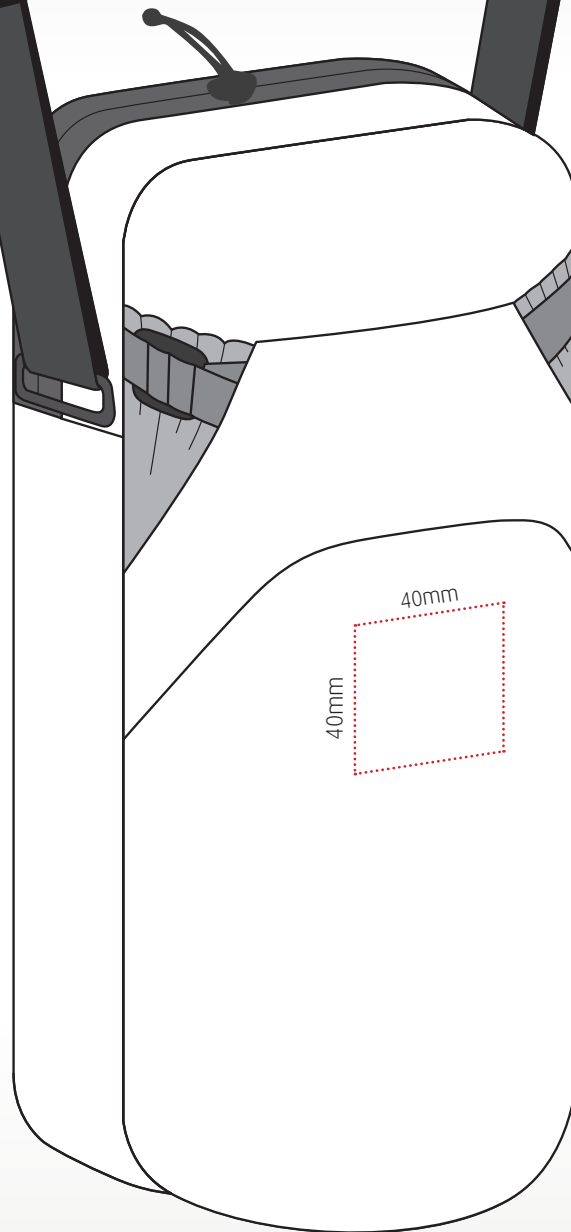
**Capacity:** 650ml  
**Weight:** 164g  
**Country of origin:** China  
**HS Code:** 3924100000

**Box dimensions:** 75 x 75 x 235 mm  
**No. per carton:** 50  
**Carton dimensions:** 40 x 40 x 48.5 cm  
**GW:** 11kg

# hip bottle bag

Handy bottle bag with  
phone pocket

Height: 250mm Width: 110mm  
Depth: 110mm



**Silkscreen/transfer**

All branding areas are to be used as a guide and are subject to sight of artwork.

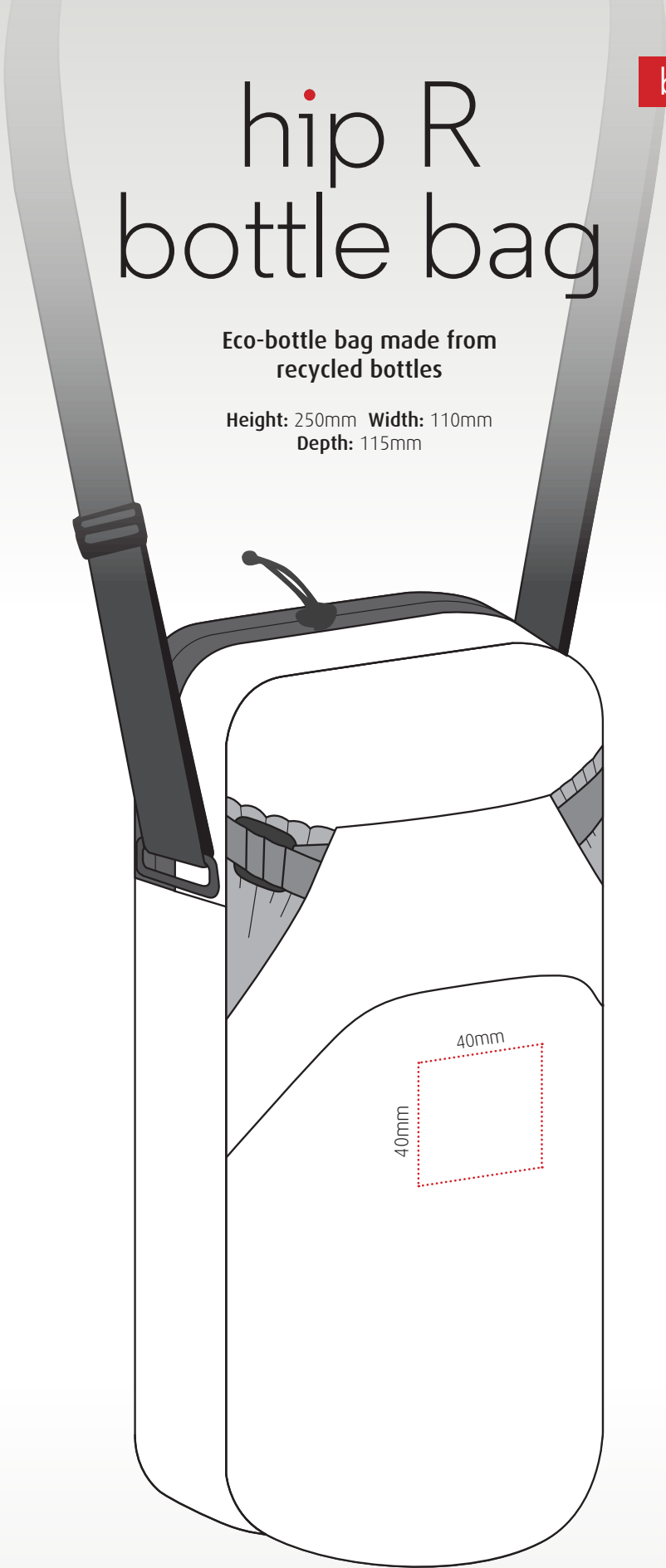
**Materials:** Nylon  
**Colour:** Grey  
**Dimensions:** 110mm (deep), 250mm (high), 110mm (wide)  
**Print area:** 40 x 40 mm

**Hip box dimensions:** 280 x 110 x 100 mm  
**Country of origin:** China  
**HS Code:** 4202220000

# hip R bottle bag

Eco-bottle bag made from  
recycled bottles

Height: 250mm Width: 110mm  
Depth: 115mm



Silkscreen/transfer

All branding areas are to be used as a guide and are subject to sight of artwork.

**Materials:** RPET  
**Colour:** Black  
**Dimensions:** 115mm (deep), 250mm (high), 110mm (wide)  
**Print area:** 40 x 40 mm

**Hip R box dimensions:** 280 x 110 x 100 mm  
**Country of origin:** China  
**HS Code:** 4202220000